

LEDiOC HB α is an energy saving LED highbay light ideal for not only commercial areas but industrial environment where dust and moisture are concern, supported by the IP65 performance



LEDiOC HB α SERIES

High performance LED highbay luminaire

- 75 w
- 111 w
- 145 w
- 214 w
- 325 w

IP65

60000 h (L90)

Light weight
4.3kg to 10.4kg

Wide range of models

Vibration resistant¹

Max. ambient temperature 50°C²

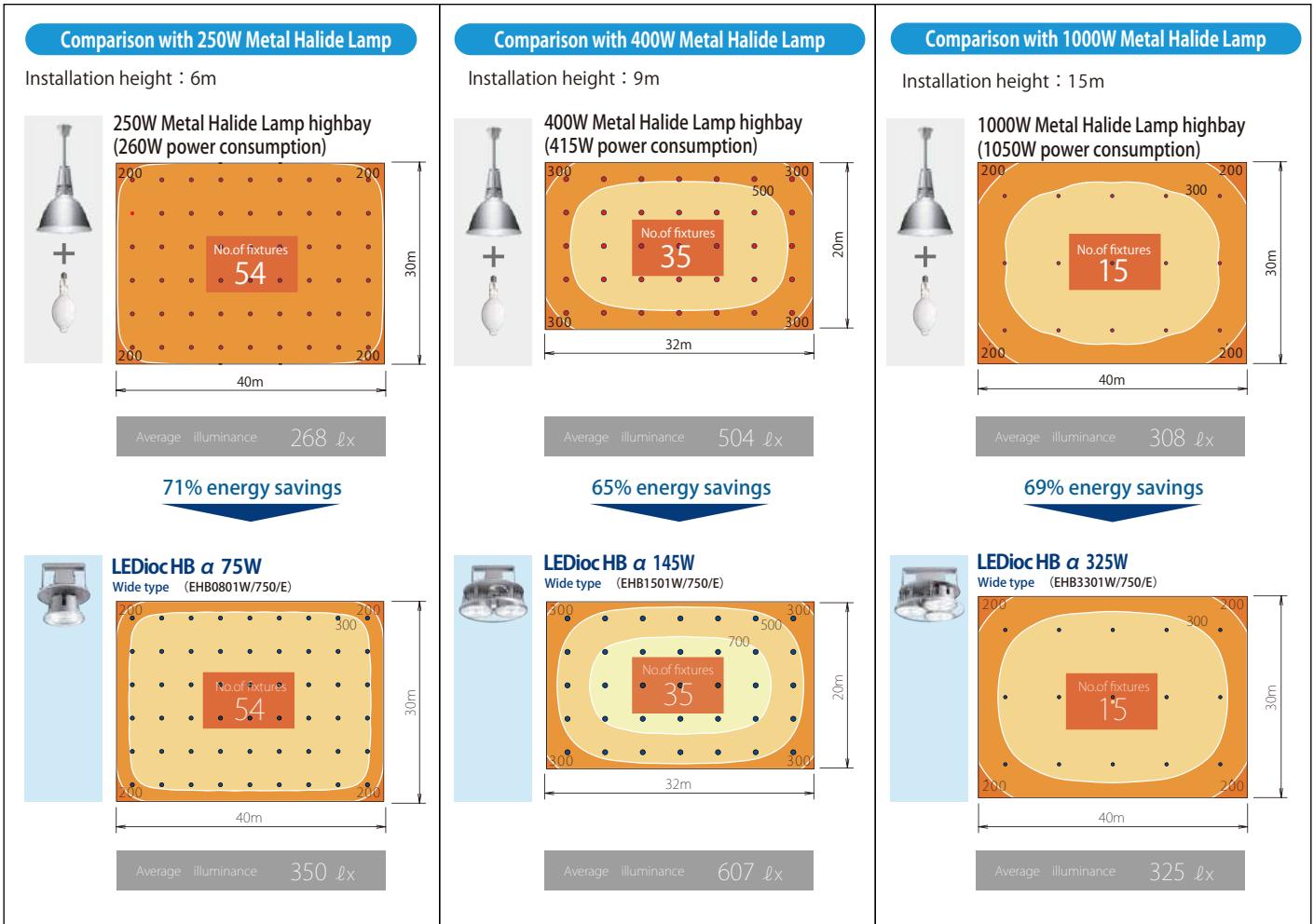
Product Series

	Model Number	Wattage (W)	HID class	CCT ³	CRI	Distribution	Luminous flux <Nominal> (lm)	Luminaire efficiency (lm/W)
HB α 80	EHB0801M/740 (750)/E	75	MH250W			Medium	9500	126.7
	EHB0801W/740 (750)/E					Wide	10400	138.7
HB α 100	EHB1101M/740 (750)/E	111	MVL400W			Medium	14000	126.1
	EHB1101W/740 (750)/E					Wide	15400	138.7
HB α 150	EHB1501M/740 (750)/E	145	MH400W	4000K (5000K)	70	Medium	18500	127.6
	EHB1501W/740 (750)/E					Wide	20200	139.3
HB α 200	EHB2101M/740 (750)/E	214	MH700W			Medium	27500	128.5
	EHB2101W/740 (750)/E					Wide	30000	140.2
HB α 300	EHB3301M/740 (750)/E	325	MH1000W			Medium	41000	126.2
	EHB3301W/740 (750)/E					Wide	45000	138.5

All values are nominal. Data subject to change without notice.

1. Up to 2.2 G for horizontal vibration and 1.1G for vertical vibration. (For HB α 300 models, 1.5 G for horizontal vibration and 0.75G for vertical vibration.)
2. Ta=40°C. Operation under 50°C is permissible for temporary period of time.
3. 5000K for "750" models.

Comparison Example



※ Maintenance factor for metal halide lamp: 0.49 ; for the LED:0.86 The values factor in fixture lumen loss.
 ※ The numbers on the curves indicate illuminance maintenance values of irradiation areas in lx units.

Mechanical

- Body : Aluminum die-cast
 - Top cover, Arm, Frame : Steel sheet with polyester resin paint
 - Power supply unit case : Aluminum
 - Front cover : Tempered glass
 - Finish color : Silver
- Two of mounting hard wires are included.

Optical

- Distribution : Medium, Wide
- 1/2 beam angle : Medium-58°, Wide-86°
- Colour rendering index : 70
- Lumen maintenance(L90) : 60,000hours

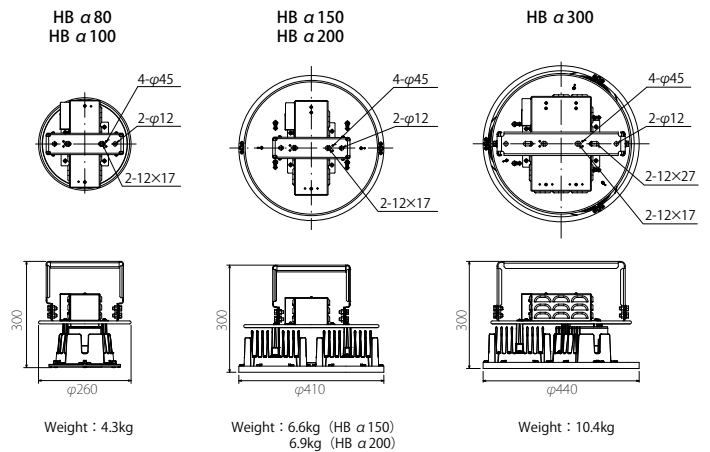
Ratings

- Mini. operation temperature : -20°C
- Max. operation temperature : +50°C ※
- IP code : IP65
- CE, RCM, CCC pending

※. Ta=40°C. Operation under 50°C is permissible for temporary period of time.

Electrical

- Built-in power supply
- Input voltage : 220~240V
- Line frequency : 50/60Hz
- Dimming function : TBA



IWASAKI ELECTRIC CO.,LTD.

6th Floor, Bakurocho-daiichi Bldg., 1-4-16,
 Nihonbashi-bakurocho, Chuo-ku,
 Tokyo 103-0002, Japan <http://www.eye.co.jp>
 Phone: +81-3-5847-8630 Fax: +81-3-5847-8647